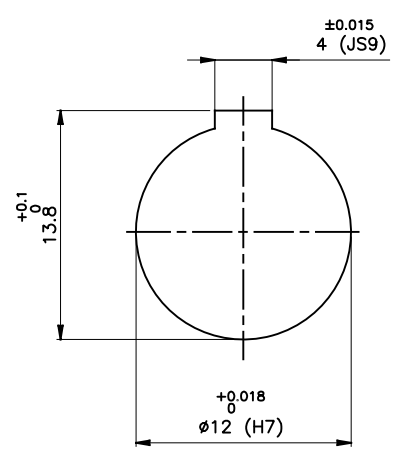
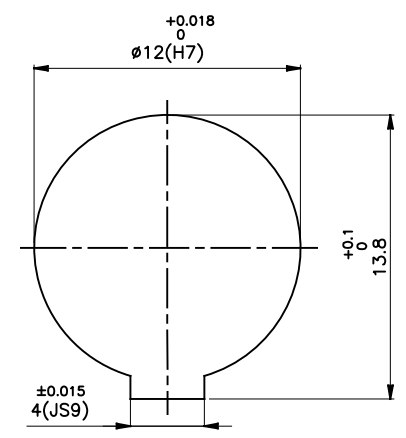
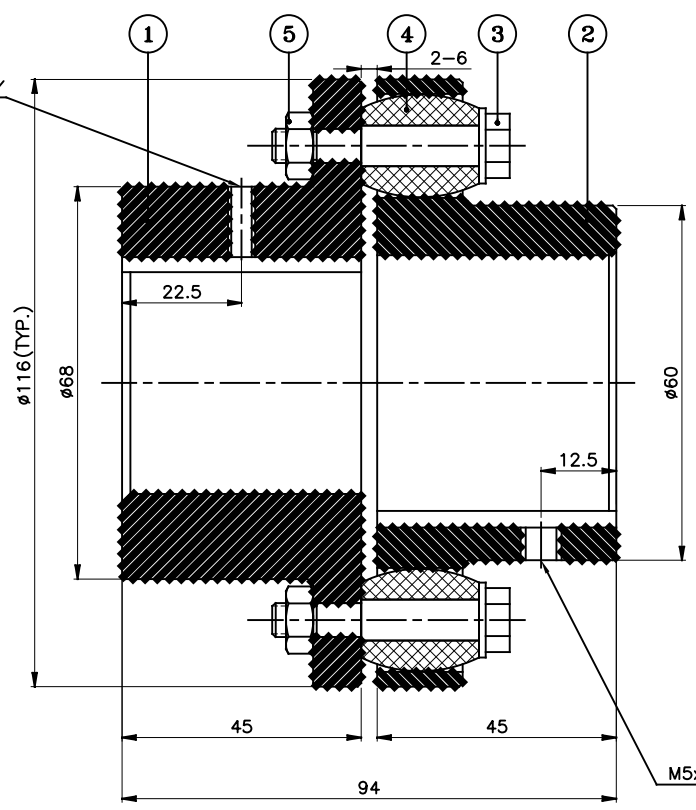


J I H G F E D C B A



DRIVE END



DRIVEN END

M5x0.8P SET SCREW ON KEYWAY

APPLICATION DETAILS

APPLICATION	-
RATED POWER	-
RATED SPEED	-
RATED TORQUE	-
A.S.F.	-

COUPLING SPECIFICATIONS

COUPLING RATING	3.8kW @ 100 RPM
RATED TORQUE	0.358 kNm.
PEAK TORQUE	0.716 kNm.
MAX. SPEED	6100 rpm.
MAX. BORE	PIN HALF 42 mm BUSH HALF 39 mm
WEIGHT(Approx.)	3.43 Kg
INERTIA (WK ²)	0.0066 Kg ^m ²

COUPLING HUBS DYNAMICALLY BALANCED TO GR. 6.3 AS PER ISO: 1940-1.

MAX. MISALIGNMENTS

AXIAL DEFLECTION	± 2 mm.
ANGULAR DEFLECTION	1°
RADIAL DEFLECTION	0.3 mm

5	NYLOCK NUT	NYLOCK NUT GR. 8	4
4	BUSH	H TRANS	4
3	PIN	EN-8D/15B25	4
2	BUSH HALF	CI IS-210 Gr.FG-260	1
1	PIN HALF	CI IS-210 Gr.FG-260	1
SR NO	DESCRIPTION	MATERIAL	QTY

REV.	DMRN NO.	DESCRIPTION	REV. BY	APPD. BY	DATE

TITLE: **RB-116-4 /----- CPLG.** MATERIAL: REFER TABLE

CUSTOMER NAME: _____

AUTHORITY	INITIALS	SIGN	DATE
DRAWN	-	-	-
CHECKED	-	-	-
APPROVED	-	-	-

SCALE: NTS REF. No.: _____

RATHI RATHI TRANSPower PVT LTD PUNE 411014 DRG. No.: _____

This drawing / information / design is the property of Rathi Transpower Pvt. Ltd. It is confidential & must not be made public or copied without prior written authorization & is subjected to recall at any time. Acceptance of this drawing constitutes full agreement with these conditions