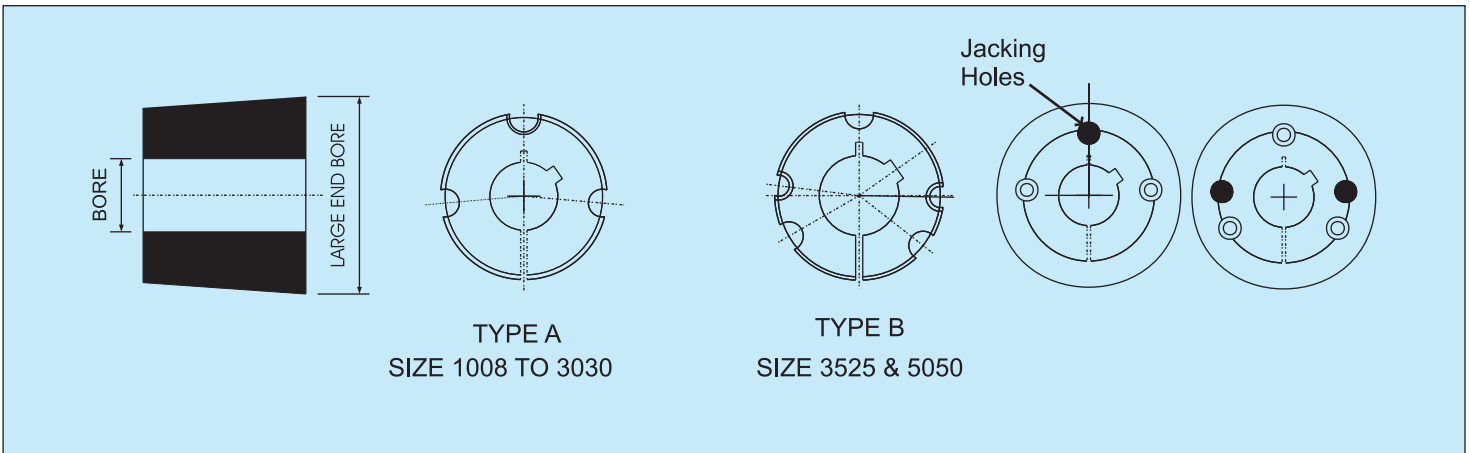


Rathi "Taper Bushes" offer an interchangeable bushing system that can be used in couplings, sprockets, pulleys, weld-on-hubs, bolt-on-hubs, adapters, sheaves etc. It offers -

- Easy fixing & removal.
- Wide range of bore sizes - Metric & Imperial.
- Vice-like grip on the shafts.
- Excellent concentricity.
- Clean flush appearance.
- Bore size may be changed in minutes.



Bush Size	1008	1108	1210	1215	1610	1615	2012	2017	2517	2525	3020	3030	3525	3535	4030	4040	4535	4545	5050	
Screw Tightening Torque (Nm)	5.6	5.6	20	20	20	20	30	30	50	50	90	90	113	113	170	170	190	190	270	
Screw Details	Qty	2	2	2	2	2	2	2	2	2	2	2	3	3	3	3	3	3	3	
	Size (BSW)	1/4"	1/4"	3/8"	3/8"	3/8"	3/8"	7/16"	7/16"	1/2"	1/2"	5/8"	5/8"	1/2"	1/2"	5/8"	5/8"	3/4"	3/4"	7/8"
	Hex Socket Size (mm)	3	3	5	5	5	5	6	6	6	6	8	8	10	10	12	12	14	14	14
Large end dia. (mm)	35.0	38.0	47.5	47.5	57.0	57.0	70.0	70.0	85.5	85.5	108.0	108.0	127.0	127.0	146.0	146.0	162.0	162.0	177.5	
Approx Weight (kg)	0.1	0.1	0.2	0.3	0.3	0.5	0.7	1.1	1.5	2.1	2.7	3.6	3.8	5.0	5.6	7.7	7.5	10.0	14.0	
Bore Size	Min (mm)	10	10	12	12	14	14	14	14	16	16	24	24	35	35	40	40	55	55	70
	Max (mm)	22	25	32	30	35	38	45	45	60	60	75	75	90	90	100	100	110	110	125
	Min (inch)	3/8"	3/8"	1/2"	1/2"	1/2"	1/2"	1/2"	1/2"	5/8"	5/8"	1"	1"	1 3/8"	1 3/8"	1 1/2"	1 3/4"	2 1/4"	2 1/4"	2 3/4"
	Max (inch)	7/8"	1"	1 1/4"	1 1/8"	1 3/8"	1 1/2"	1 3/4"	1 3/4"	2 1/2"	2 3/8"	3"	3"	3 1/2"	3 1/2"	4"	4"	4 1/4"	4 1/4"	5"
● Bore Size	In mm	24-25	28	-	-	-	40-42	-	-	-	-	-	-	100	-	115	-	-	-	-
	in inch.	1"	1 1/8"	-	-	-	1 1/2"	-	-	-	-	-	-	4"	-	4 1/2"	-	-	-	-
★ Bore Size	In mm	-	-	-	32	38-42	40-42	48-50	48-50	-	-	-	-	95-100	-	105-115	-	115-125	115	-
	in inch.	-	-	-	1 5/8"	1 5/8"	2"	2"	-	-	-	-	-	4"	-	4 1/2"	-	5"	4 1/2"	-

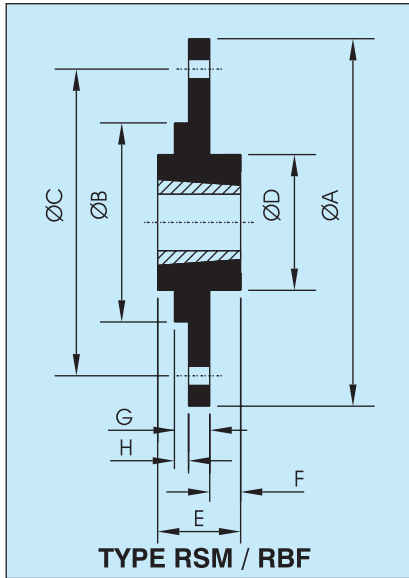
- Shallow keyway for this Bore range. (Inclusive & above upto Max. Bore)
- ★ Special material for this Bore range. (Inclusive & above upto Max. Bore)
- All dimensions are in mm unless otherwise specified.

In view of our constant endeavour to improve quality of our products, we reserve the right to alter or change specifications without prior notice. This document is the intellectual property of Rathi Transpower Pvt. Ltd. and subject to copyright.



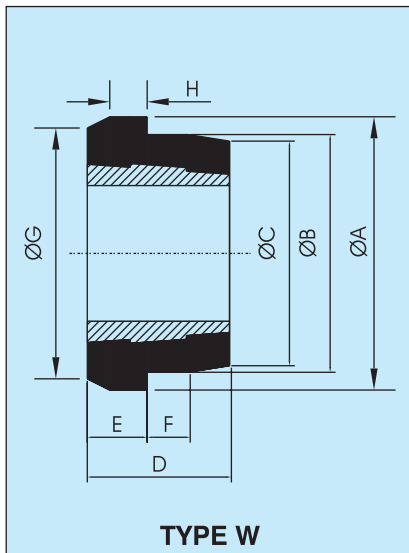
Rathi Transpower Pvt Ltd
 Rathi Chambers, 7, Deccan College Road,
 Pune 411 006.(INDIA)
 Phone : 91-20-30517201
 Fax : 91-20-30517212
 E-mail : enquiry@rathigroup.com
 Website : www.rathicouplings.com

Distributor



BOLT-ON HUBS - TYPE RSM / RBF

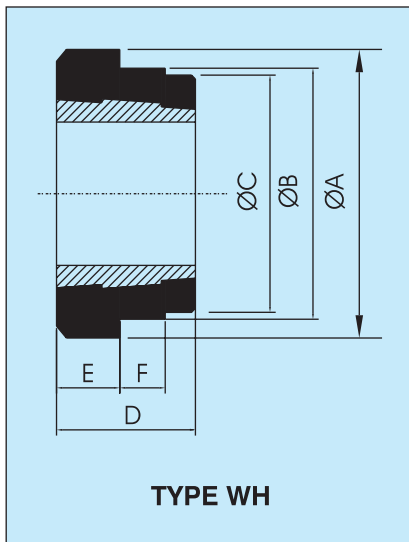
Type/Size	Bush Size	ØA	$\begin{matrix} +0.0 \\ -0.1 \end{matrix}$ ØB	ØC	ØD	E	F	G	H	Bolt Qty. & Size
RSM 12	1210	180	90	135	75	25	6.75	11.5	2.5	6XM6
RSM 16	1615	200	110	150	85	38	12.75	12.5	2.5	6XM6
RSM 20	2012	270	140	190	110	32	9.25	13.5	2.5	6XM8
RSM 25	2517	340	170	240	125	45	14.75	14.5	2.5	8XM10
RSM 30-1	3020	430	220	300	160	51	16.25	18.5	2.5	8XM12
RSM 30-2	3020	485	250	340	160	51	15.75	19.5	2.5	8XM12
RBF 12	1210	120	80	100	74	25	10	9	2.5	6XM6
RBF 16	1610	130	90	110	84	25	10	9	2.5	6XM6
RBF 20	2012	145	100	125	99	32	13	11	2.5	6XM8
RBF 25	2517	185	130	155	120	44	20	14	2.5	6XM10
RBF 30	3020	220	165	190	146	50	20	14	2.5	6XM12



WELD-ON HUBS — TYPE W

FOR LONG SERIES BUSH

Hub Size	Use Bush Size	ØA	$\begin{matrix} +0.00 \\ -0.05 \end{matrix}$ ØB	ØC	D	E	F	ØG	H
W 12	1215	73	63.5	60	38	16	11	67	10
W 16	1615	83	73.0	70	38	16	11	76	10
W 20	2017	102	88.9	86	44	19	13	95	10
W 25	2517	127	111.1	108	44	19	13	117	10
W 30	3030	152	133.5	125	76	25	19	140	13
*W 35	3535	184	158.7	151	89	32	25	168	16
*W 40	4040	225	196.8	187	102	32	32	210	16
*W 45	4545	254	222.2	213	114	38	38	232	16
*W 50	5050	276	241.3	229	127	38	38	241	19



WELD-ON HUBS — TYPE WH

FOR SHORT SERIES BUSH

Hub Size	Use Bush Size	ØA	$\begin{matrix} +0.00 \\ -0.05 \end{matrix}$ ØB	ØC	D	E	F
WH 12	1210	70	65	64.5	25	9	10
WH 16	1610	80	75	74.5	25	9	10
WH 20	2012	95	90	89.5	32	12	12
WH 25	2517	115	110	109.5	44	19	15
WH 30	3020	145	140	139.5	50	20	15
WH 35	3525	190	180	179.5	65	25	25
WH 40	4040	200	190	189.5	102	32	30
WH 45	4545	210	200	199.5	114	40	30
WH 50	5050	230	220	219.5	127	40	35

- All dimensions are in mm unless otherwise specified.
- Refer to bush chart for Max. & Min. Bores.
- * Sizes available on request.